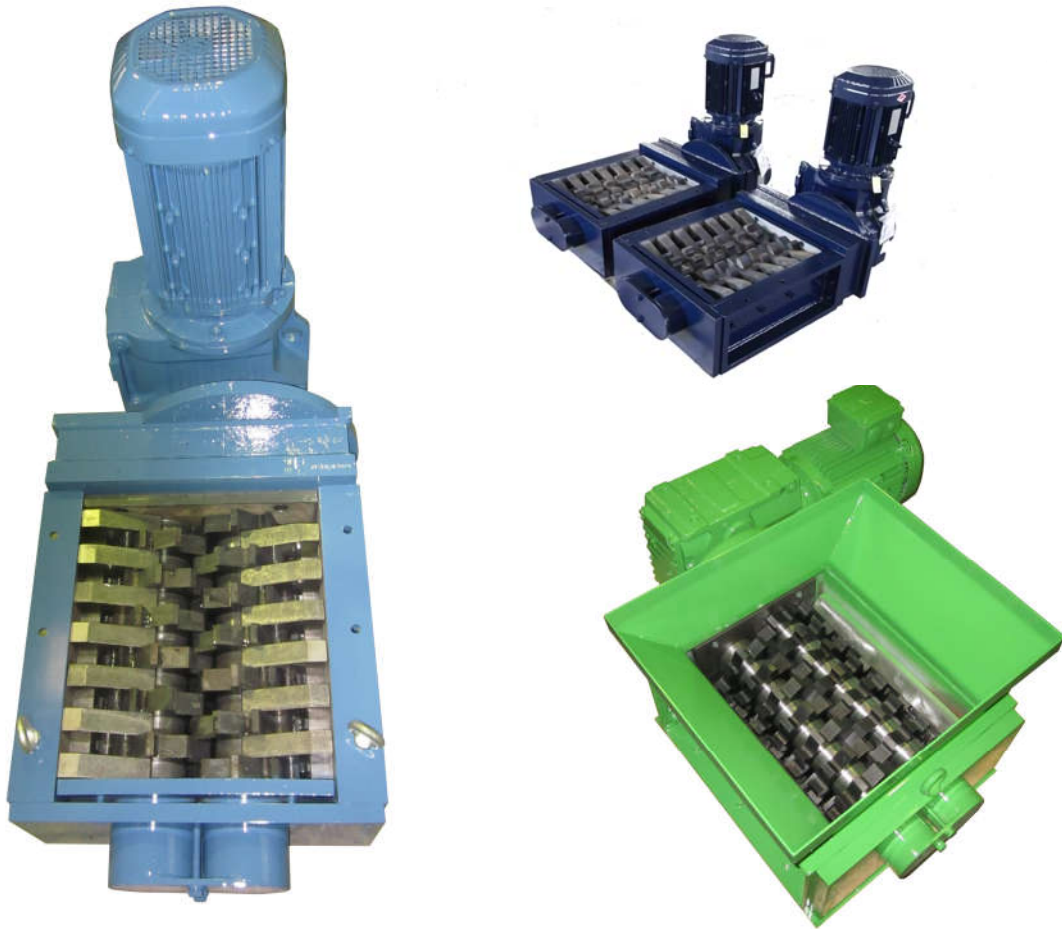




Metal Chip Shredder

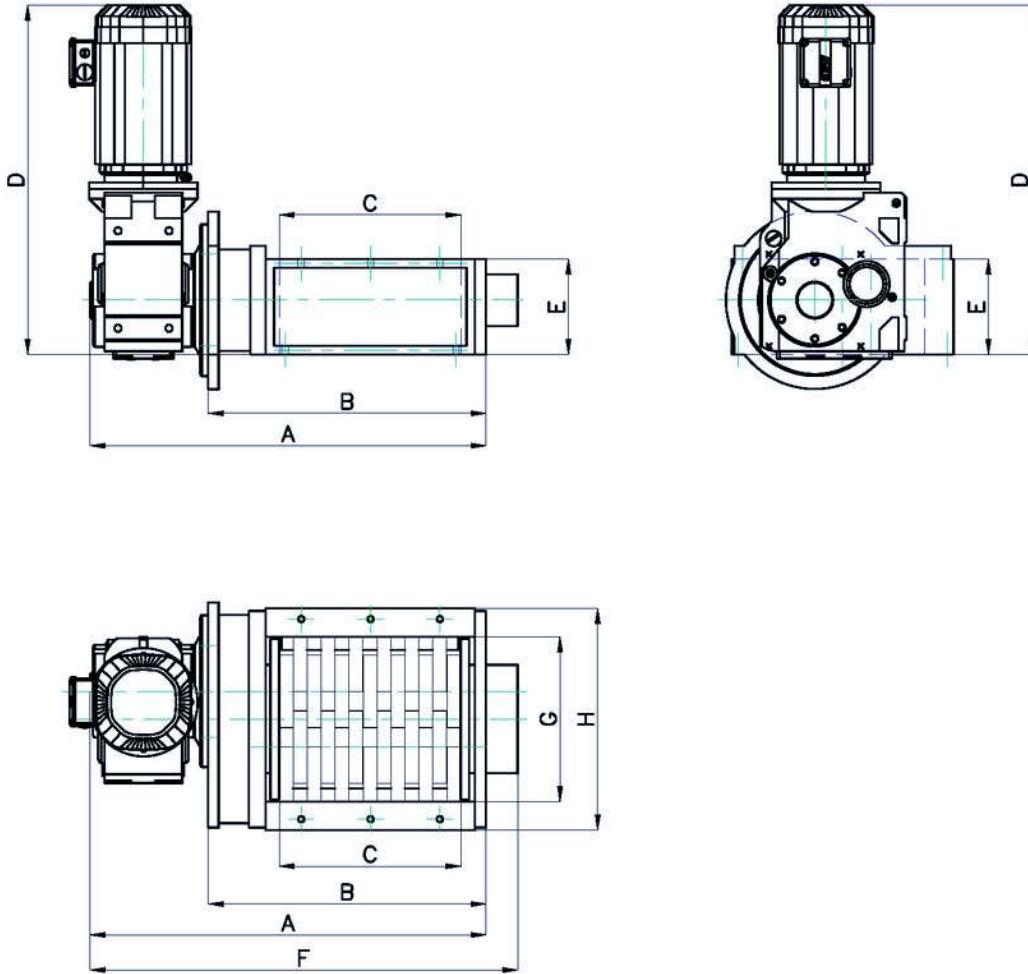


Crusher is feature by a series of knives assembled on two parallel shafts with opposite rotating direction.

It stops automatically at the time of the presence of parts. In the model with extraction, the parts left automatically.

Crushing is desirable for :

- Volume reduction before drying, metal swarfs and waste,
- Incineration of industrial waste, like consumable filtration media,
- Coolant lifting.



Dimensions / Model	A	B	C	D	E	F	G	H	Power
FS0101	720	510	350	600	190	760	250	400	2, 2 kW
FS0102	920	640	420	810	220	990	380	515	5, 5 kW or 7, 5kW
FS0103	1515	1070	615	1000	300	1515	480	630	9 kW